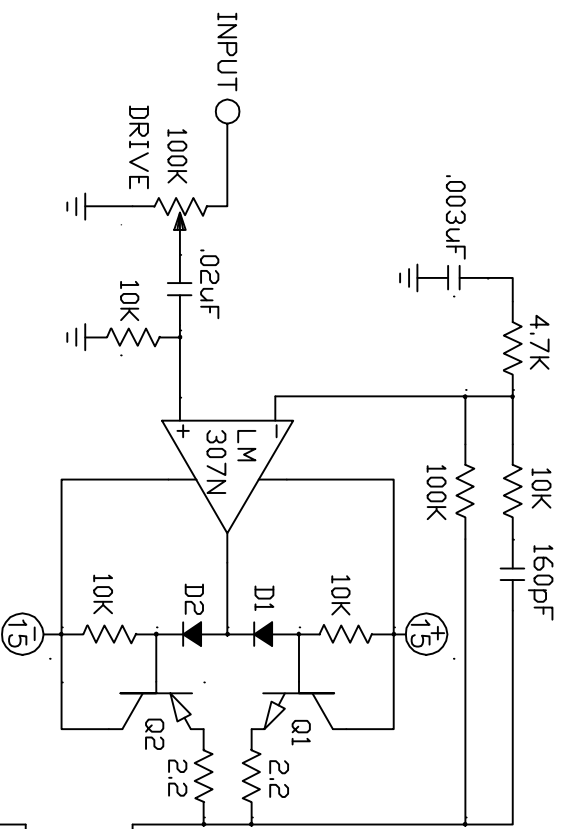


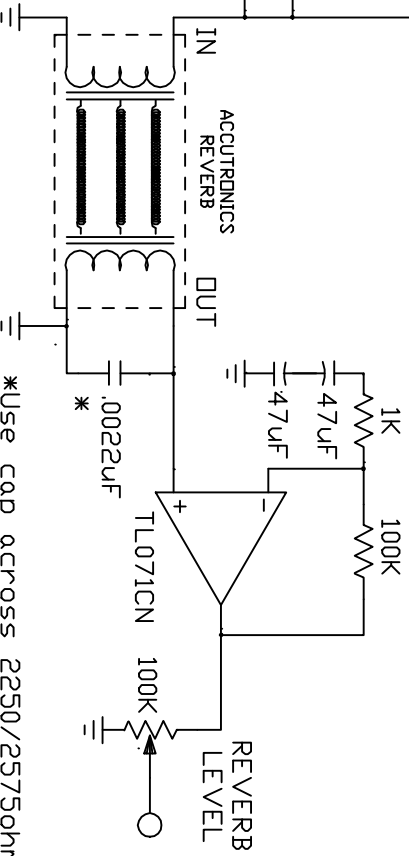
REVISION			
REV.	DESCRIPTION	DATE	APPROVED
A	Original drawing	12-28-81	B.R.
B	Update drawing	3-26-99	S.F.



DRIVE CIRCUIT  
D1,D2 = 1N4148

FOR HIGH LEVELS (8ohms)  
Q1 = D40D8  
Q2 = D41 D8

FOR LOW LEVELS (150-600ohms)  
Q1 = 2N3904\2N4401  
Q2 = 2N3906\2N4402



\*Use cap across 2250/2575ohm "B" coil for improved high frequency performance.

**accutronics**

SOUND ENHANCEMENTS INC.185 DETROIT ST. ,CARY IL. ,60013

SCALE: N.T.S. APPROVED BY *Scott Fleisher* DRAWN BY S.F.

DATE: 3-26-99 REVISED B

DESCRIPTION GENERAL PURPOSE REVERB DRIVE AND RECOVERY CIRCUIT

PART NUMBER C:\act\win\reverb\schem\gpdriive DRAWING NUMBER