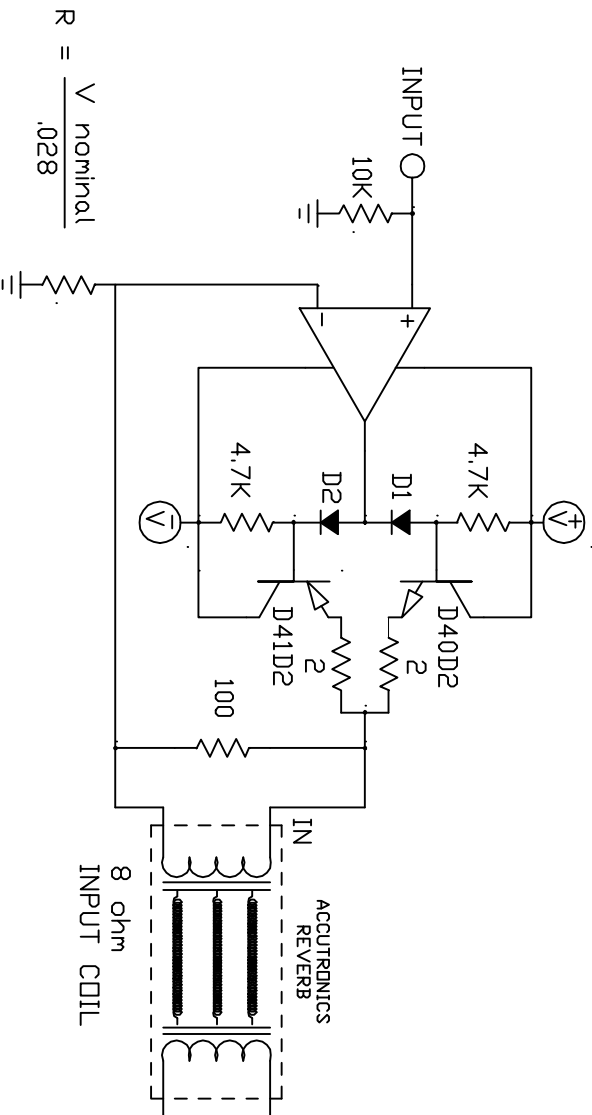


REVISION			
REV.	DESCRIPTION	DATE	APPROVED
A	Original drawing	2-1-78	
B	Update drawing	10-3-00	S.F.



LOW COST CONSTANT CURRENT DRIVER
 USING EXTERNAL TRANSISTORS FOR
 INCREASED CURRENT CAPABILITY.

accuElectronics

SOUND ENHANCEMENTS INC. 185 DETROIT ST., CARY IL., 60013

SCALE:	N.T.S.	APPROVED BY:	<i>Scott Fleisher</i>
DATE:	10-3-00	REVISED:	B

DESCRIPTION: CONSTANT CURRENT DRIVER WITH INCREASED DRIVE CAPABILITY

PART NUMBER	DRAWING NUMBER
C:\acct\win\reverb\schem\gppdrive3	