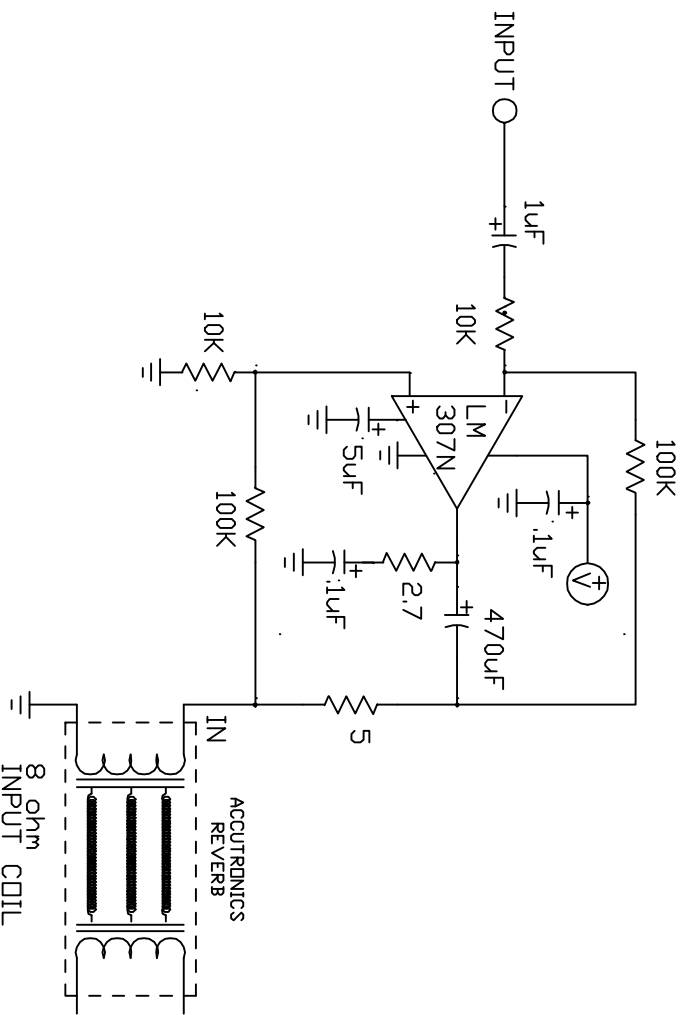


REVISION			
REV.	DESCRIPTION	DATE	APPROVED
A	Original drawing	2-1-78	
B	Update drawing	10-3-00	S.F.



CURRENT SOURCE THAT ALLOWS FOR ONE END OF COIL TO BE GROUND. FROM NATIONAL SEMICONDUCTOR "AUDIO HANDBOOK" JUNE 1976.

**accuTronics**

SOUND ENHANCEMENTS INC. 185 DETROIT ST., CARY IL., 60013

SCALE: N.T.S.	APPROVED BY: <i>Scott Fleisher</i>	DRAWN BY: S.F.
DATE: 10-3-00		REVISED: B

DESCRIPTION: GENERAL PURPOSE CURRENT DRIVER THAT ALLOWS FOR COIL GROUND.

PART NUMBER: c:\acctwin\reverb\schem\gpdriver4      DRAWING NUMBER