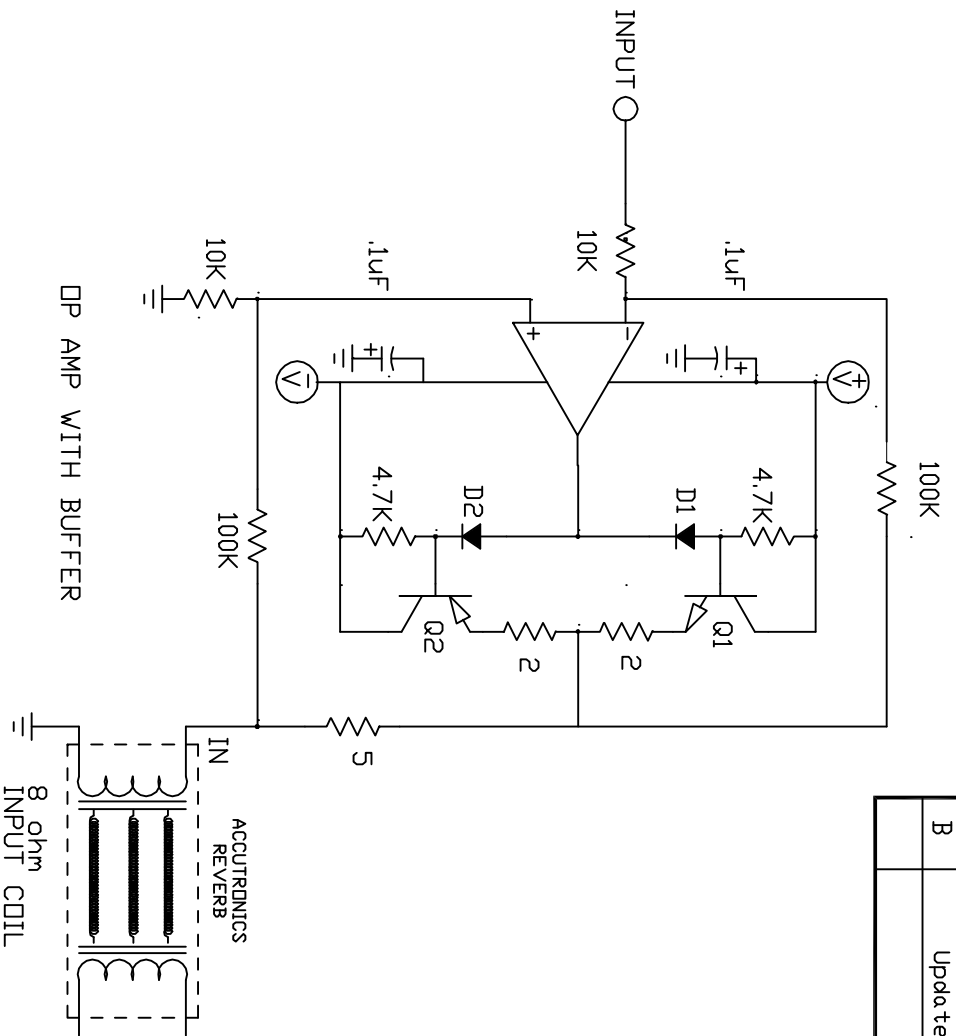


REVISION			
REV.	DESCRIPTION	DATE	APPROVED
A	Original drawing	2-1-78	
B	Update drawing	10-3-00	S.F.



accustronics

SOUND ENHANCEMENTS INC. 185 DETROIT ST., CARY IL., 60013

SCALE: N.T.S.	APPROVED BY	DRAWN BY S.F.
DATE: 10-3-00	<i>Scott Fleisher</i>	REVISED B
DESCRIPTION: GENERAL PURPOSE CURRENT DRIVER DP AMP BUFFER VERSION		
PART NUMBER	DRAWING NUMBER	

C:\acctwin\reverb\schem\gpdrives