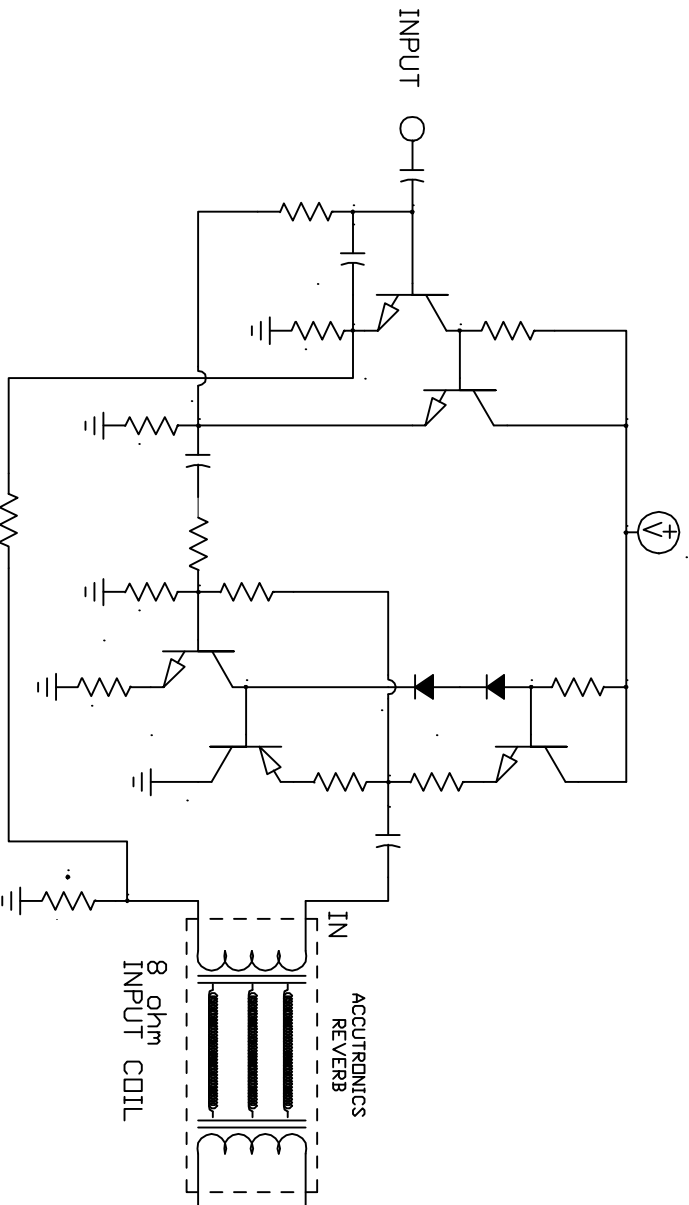


REVISION			
REV.	DESCRIPTION	DATE	APPROVED
A	Original drawing	2-1-78	
B	Update drawing	10-3-00	S.F.



CONSTANT CURRENT DRIVER-DISCRETE VERSION
WITH HIGH DRIVE LEVEL CAPABILITIES.

accuTronics

SOUND ENHANCEMENTS INC.185 DETROIT ST., CARY IL., 60013

SCALE: N.T.S. APPROVED BY *Scott Fleisher* DRAWN BY S.F.

DATE: 10-3-00 REVISED B

DESCRIPTION GENERAL PURPOSE CONSTANT CURRENT DRIVER - DISCRETE VERSION

PART NUMBER C:\act\win\reverb\schem\gpdriver6 DRAWING NUMBER