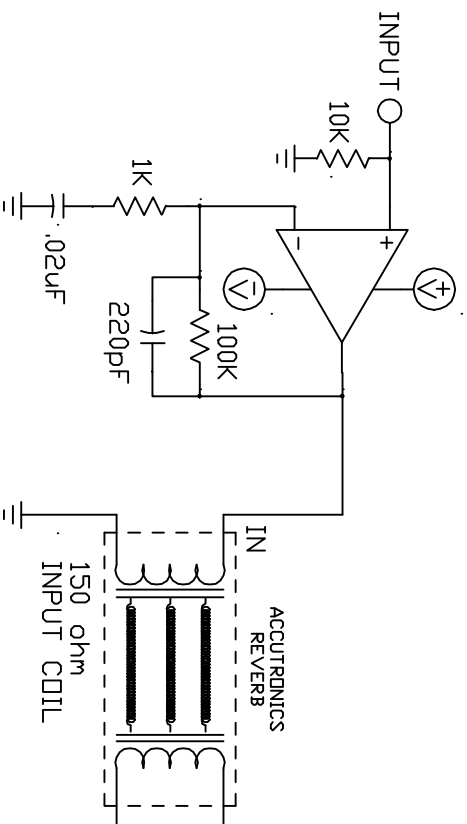


REVISION			
REV.	DESCRIPTION	DATE	APPROVED
A	Original drawing	2-1-78	
B	Update drawing	10-3-00	S.F.



COMPENSATED VOLTAGE AMP DRIVER - LOW DRIVE LEVEL

accuTronics

SOUND ENHANCEMENTS INC. 185 DETROIT ST., CARY IL., 60013

SCALE: N.T.S. APPROVED BY

DATE: 10-3-00 *Scott Fleisher* DRAWN BY S.F.

DESCRIPTION: LOW INPUT DRIVE LEVEL REVISED B

PART NUMBER: c:\actwin\reverb\schem\gpdri7 DRAWING NUMBER