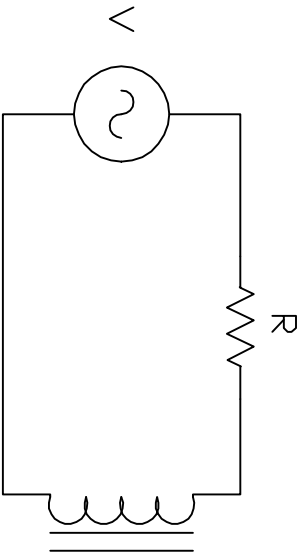


REVISION			
REV.	DESCRIPTION	DATE	APPROVED
A	Original drawing	2-1-78	
B	Update drawing	10-3-00	S.F.

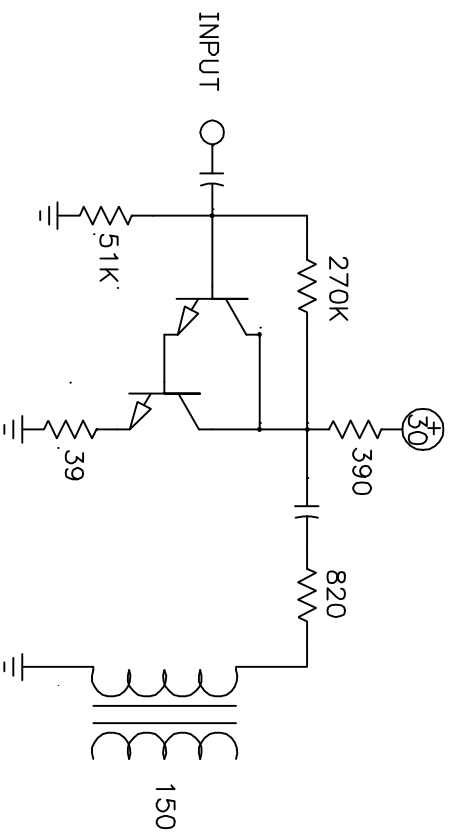


7-7

In general, current source is equivalent to a voltage source with a resistor in series. In practice, the resistor should have a value greater than 5 times the 1KHz impedance of the input transducer.

The voltage required will be:

$$V_{max} = I_{max} |R + Z|$$



ADrive Circuit using the principle of Figure 7-7
7-8

accuTronics			
SOUND ENHANCEMENTS INC.185 DETROIT ST., CARY IL., 60013			
SCALE:	N.T.S.	APPROVED BY	DRAWN BY S.F.
DATE:	10-3-00	<i>Scott Fleisher</i>	REVISED B
DESCRIPTION DRIVE CIRCUIT DESIGN CURRENT SOURCE EQUIVALENT			
PART NUMBER	C:\act\win\reverb\schem\gpdrive8		DRAWING NUMBER